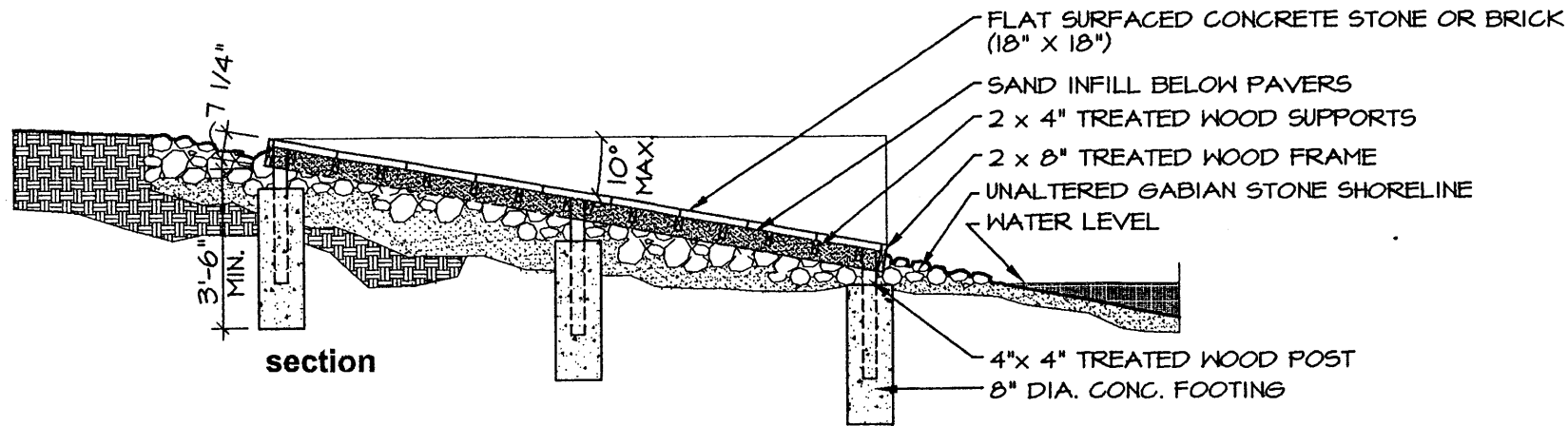


See Section 210 Rules 2017



LAKE ACCESS EROSION CONTROL PAD

SCALE: 1/4" = 1'-0"

NOTE: 10° OR 1:3 MAXIMUM SLOPE AT SHORELINE SLOPES GREATER THAN 10° MAY REQUIRE A TIERED PAD - BEFORE PREPARING, BUILDING, OR INSTALLING A TIERED PAD, BOARD APPROVAL MUST BE OBTAINED.

Country Club Owner's Assoc.
Supplemental Covenant Details
Clive, Iowa

Title: Lake Access & Erosion Control
Project No: 204041
Date: 08/09/04

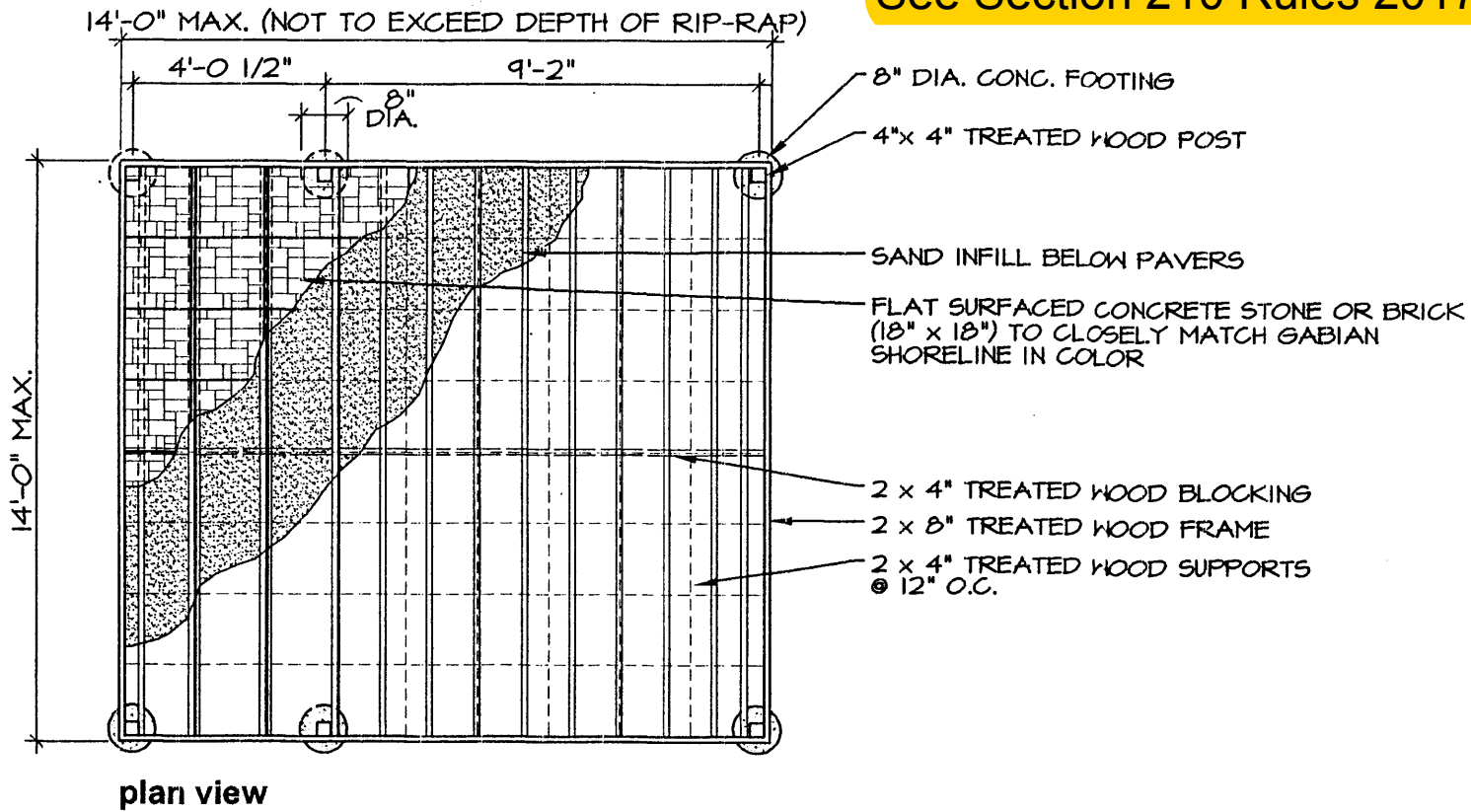
Sheet: 203A of: 1



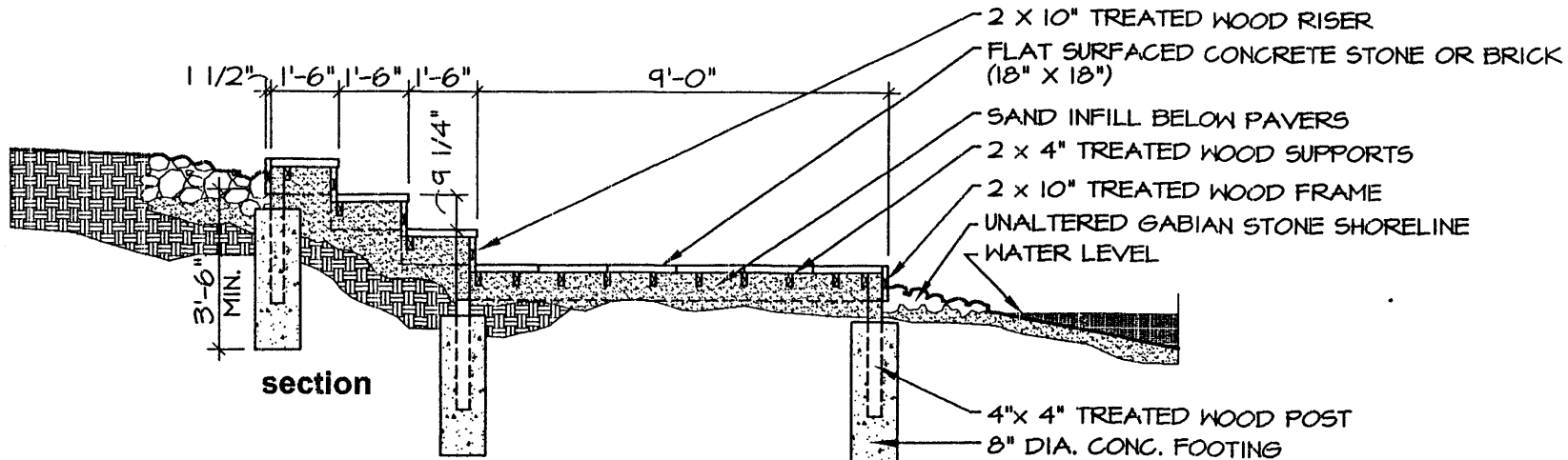
DESIGN ALLIANCE INC.
Copyright 2004

14225 UNIVERSITY AVENUE
WAUKEE, IOWA 50263
P: 515/225-3469
F: 515/225-9648

See Section 210 Rules 2017



plan view



section

NOTE: BEFORE PREPARING, BUILDING, OR INSTALLING A TIERED PAD, BOARD APPROVAL MUST BE OBTAINED.

LAKE ACCESS EROSION CONTROL PAD - TIERED

SCALE: 1/4" = 1'-0"

P:\Country Club\Lake Access

14225 UNIVERSITY AVENUE
WAUKEGA, IOWA
50263
P: 515/225-3469
F: 515/225-9649

DESIGN ALLIANCE INC.
Copyright 2004



Country Club Owner's Assoc.
Supplemental Covenant Details
Clive, Iowa

Title: Lake Access & Erosion Control
Project No: 204041
Date: 08/09/04

Sheet: 203B of 1